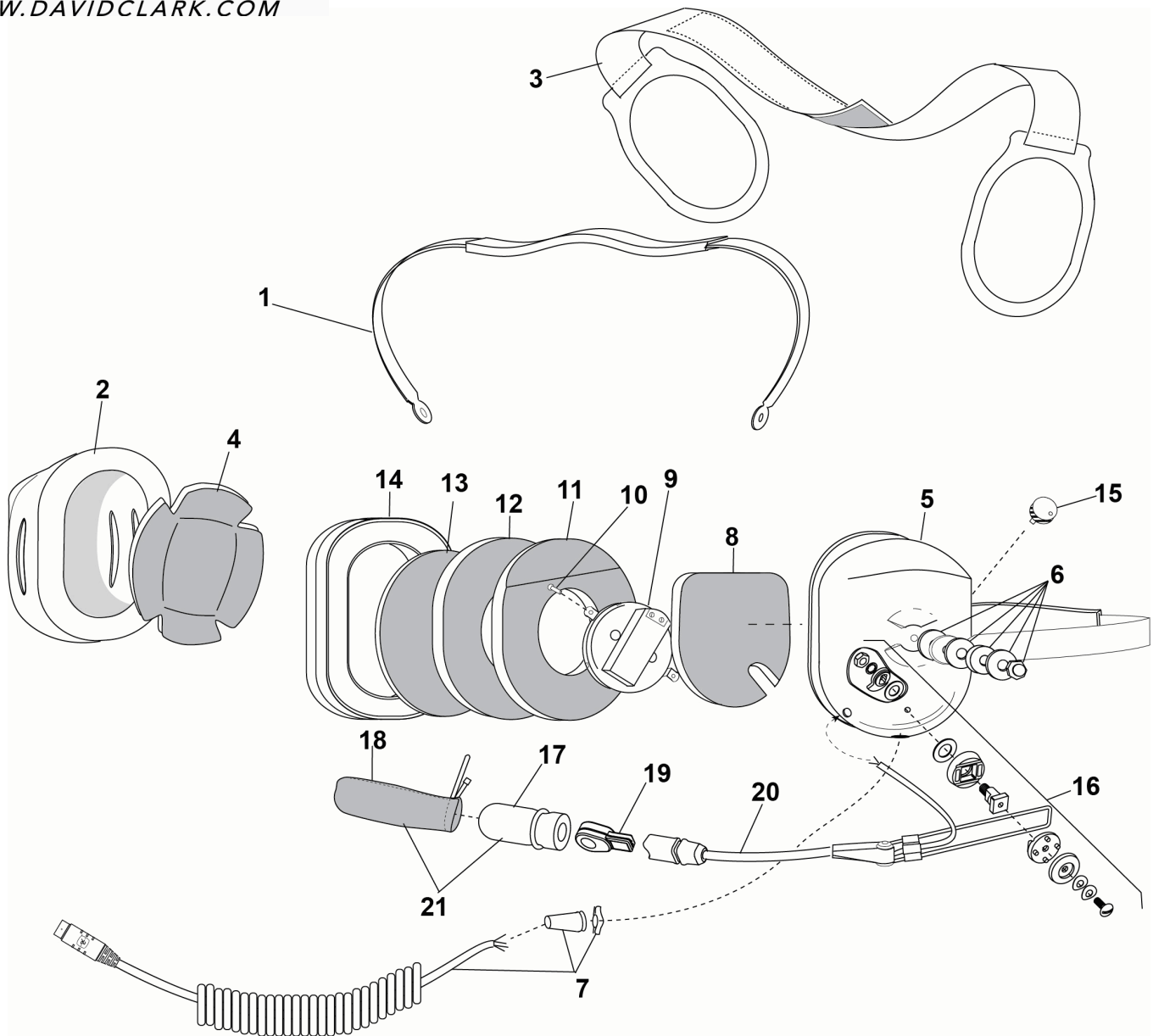


**PARTS LIST
MODEL H9941**


No.	Description	Part No.
1	Spring Assembly	40623G-54
2	Dome, Right, Slotted	15522P-43
3	Support Assembly	10370G-03
4	Dome Filter (1 each)	24636P-03
5	Dome, Left (mic side)	15522P-44
6	Nut and Washer Kit (10 pk)	12052G-04
7	Comm Cord Assy Kit	40599G-98
8	Dome Filter (1 each)	11410P-02
9	Earphone Assembly	10376G-55
10	Screw (10/pk)	00023M-07
11	Dome Filter (1 each)	25629P-05

No.	Description	Part No.
12	Dome Filter (1 each)	14096P-05
13	Filter (1 each)	14096P-09
14	Undercut Gel Earseal (pair)	40863G-02
15	Volume Control	09349P-57
16	Boom Guide Kit	12840G-20
17	Screen, Wind, Mic	15074P-08
18	Windscreen Cover w/Tie	18792G-03
19	Microphone M-2H 5 OHM	09168P-75
20	Hybrid Boom w/ Cord	18740G-36
21	Mic Protector/Windscreen Kit	41090G-20

ELECTRICAL SCHEMATIC MODEL H9941

