

**C99-20CX
System Cable
P/N 40935G-07**

INSTALLATION SHEET

The C99-20CX cable is used to interface a Universal Gateway Wireless System with the David Clark Series 9800 Marine Intercom System. One end of the cable connects to the Master Station at Co-Captain's System Port and the other end connects to the U9921-GUV (P/N 40994G-01) or U9921-GUV(EU) (40994G-02) Universal Gateway.

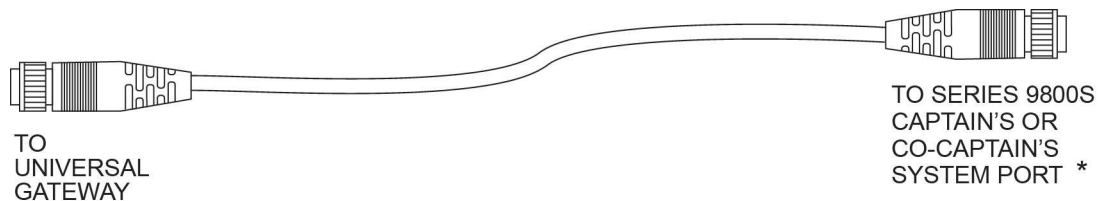


Figure 1

* Passenger system ports may be used if wireless users do not require PTT over the radios.

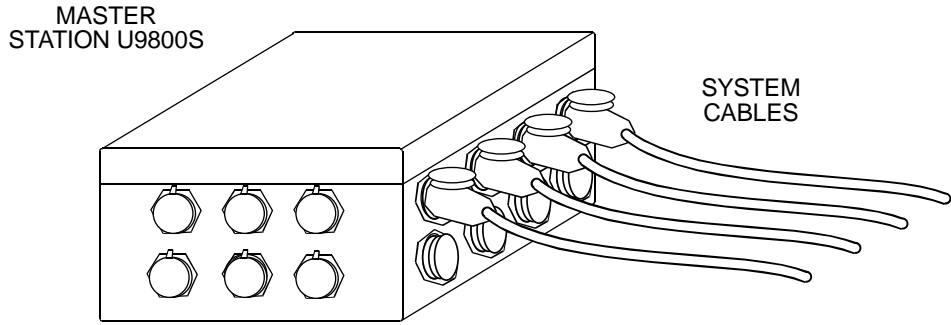


Figure 2: Master Station System Cable Connections

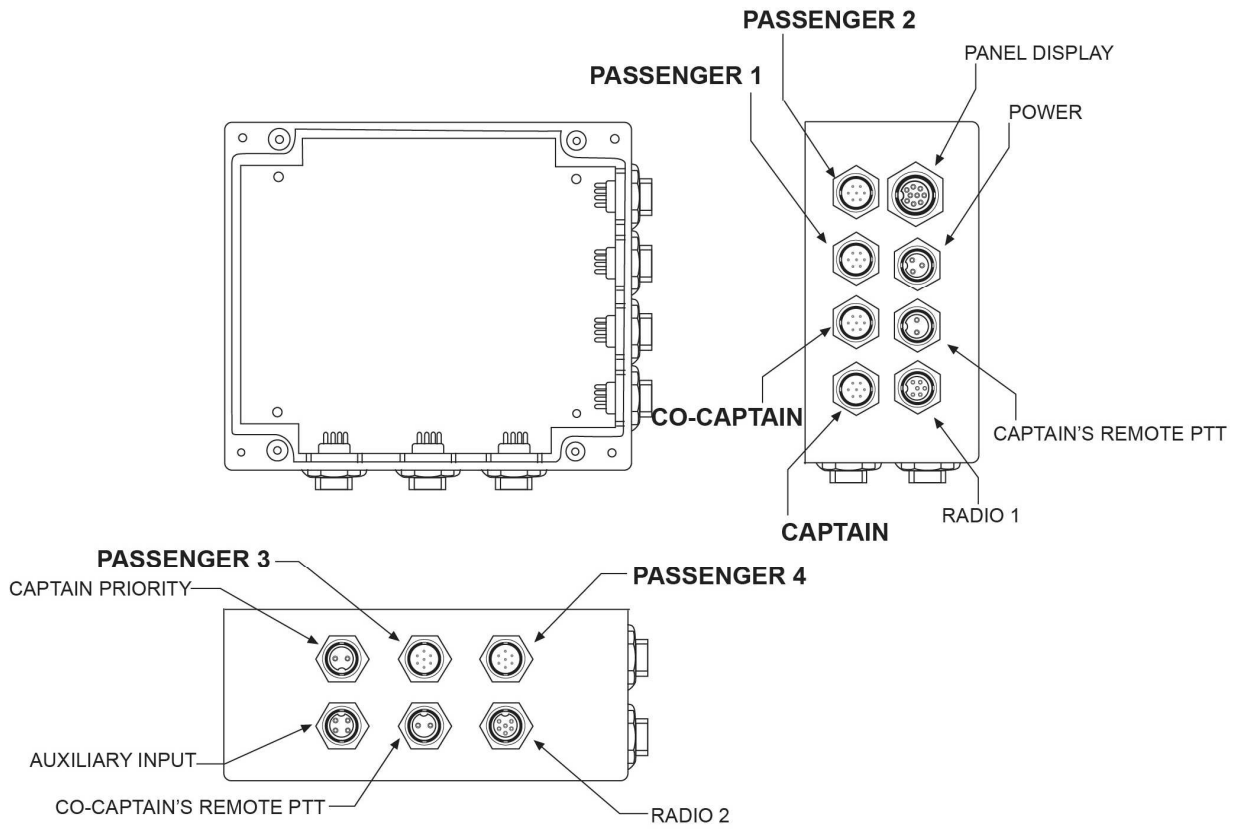


Figure 3: Master Station Connections

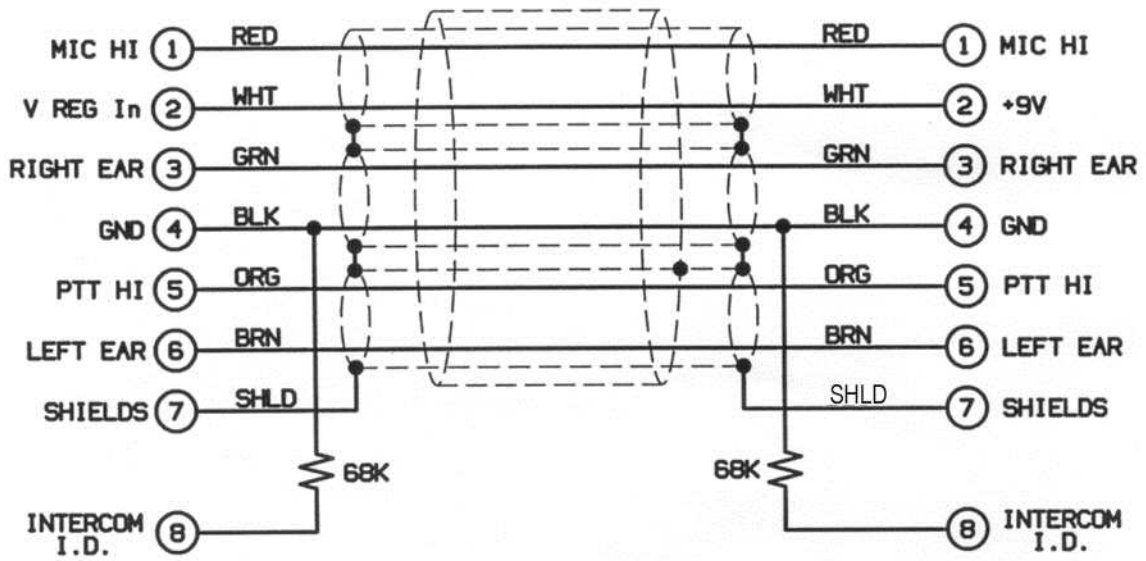


Figure 4: Cable Schematic (40935G-07)